

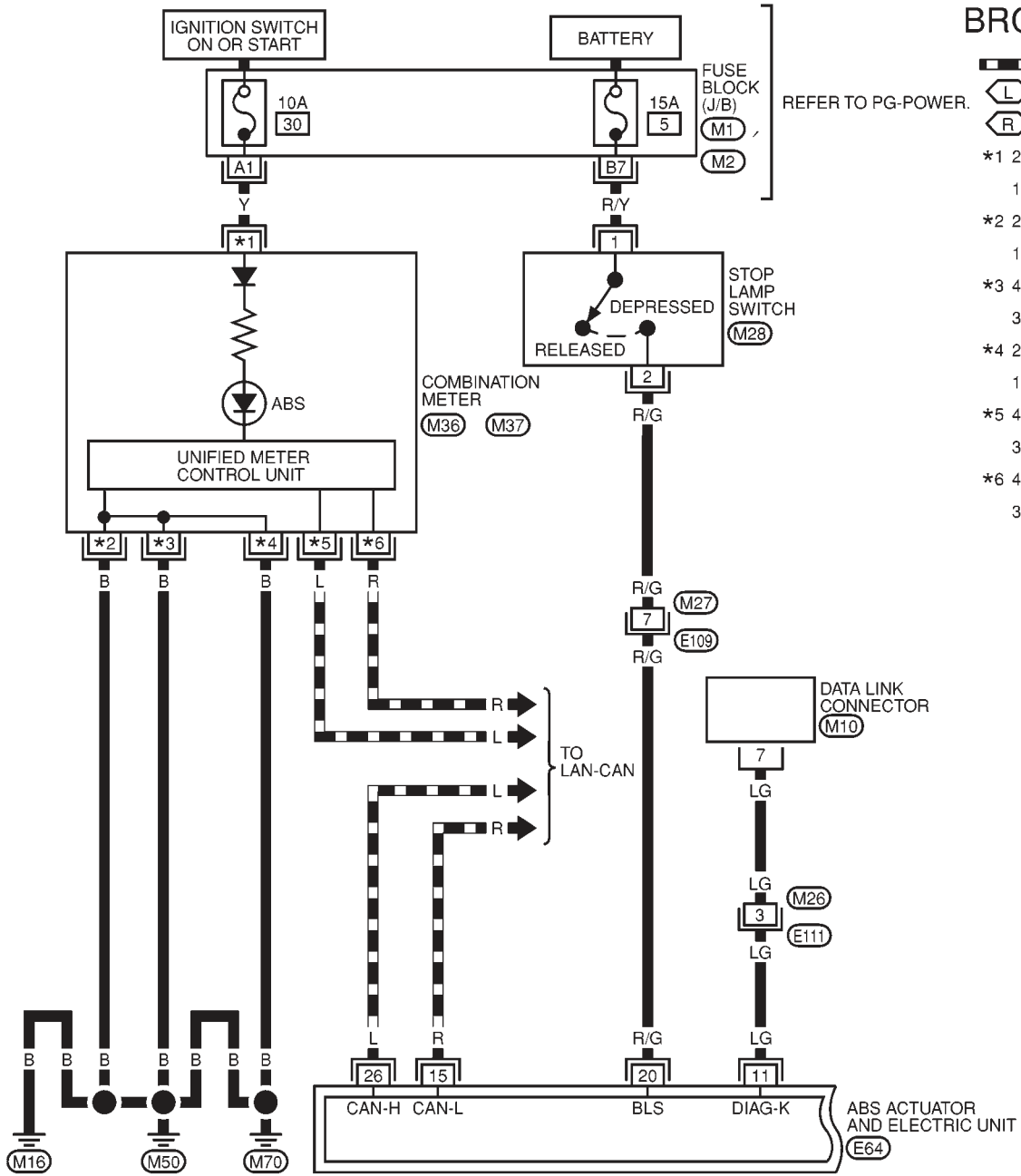
TROUBLE DIAGNOSIS

[ABS]

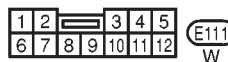
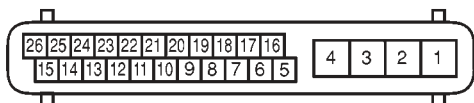
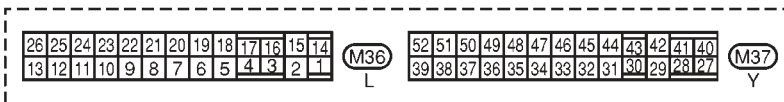
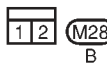
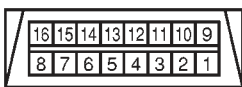
EFS001J3

Wiring Diagram — ABS —

BRC-ABS-01



- : DATA LINE
- ⬅ L : LHD MODELS
- ➡ R : RHD MODELS
- *1 26: ⬅ L
 - 13: ➡ R
 - *2 24: ⬅ L
 - 11: ➡ R
 - *3 45: ⬅ L
 - 32: ➡ R
 - *4 25: ⬅ L
 - 12: ➡ R
 - *5 43: ⬅ L
 - 30: ➡ R
 - *6 44: ⬅ L
 - 31: ➡ R



REFER TO THE FOLLOWING.
 (M1), (M2) - FUSE BLOCK-JUNCTION BOX (J/B)

MFWA0009E