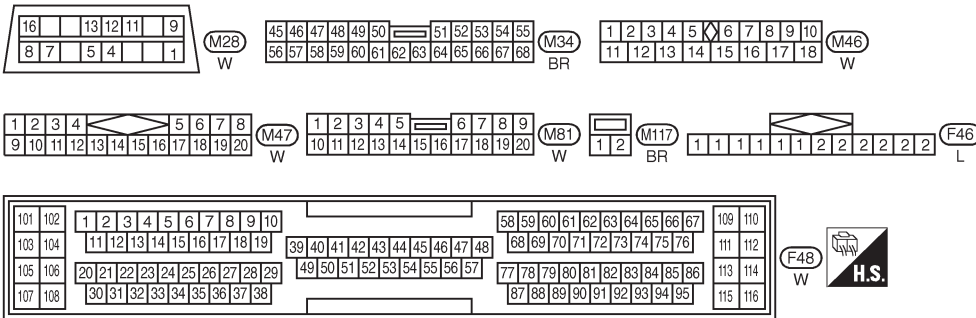
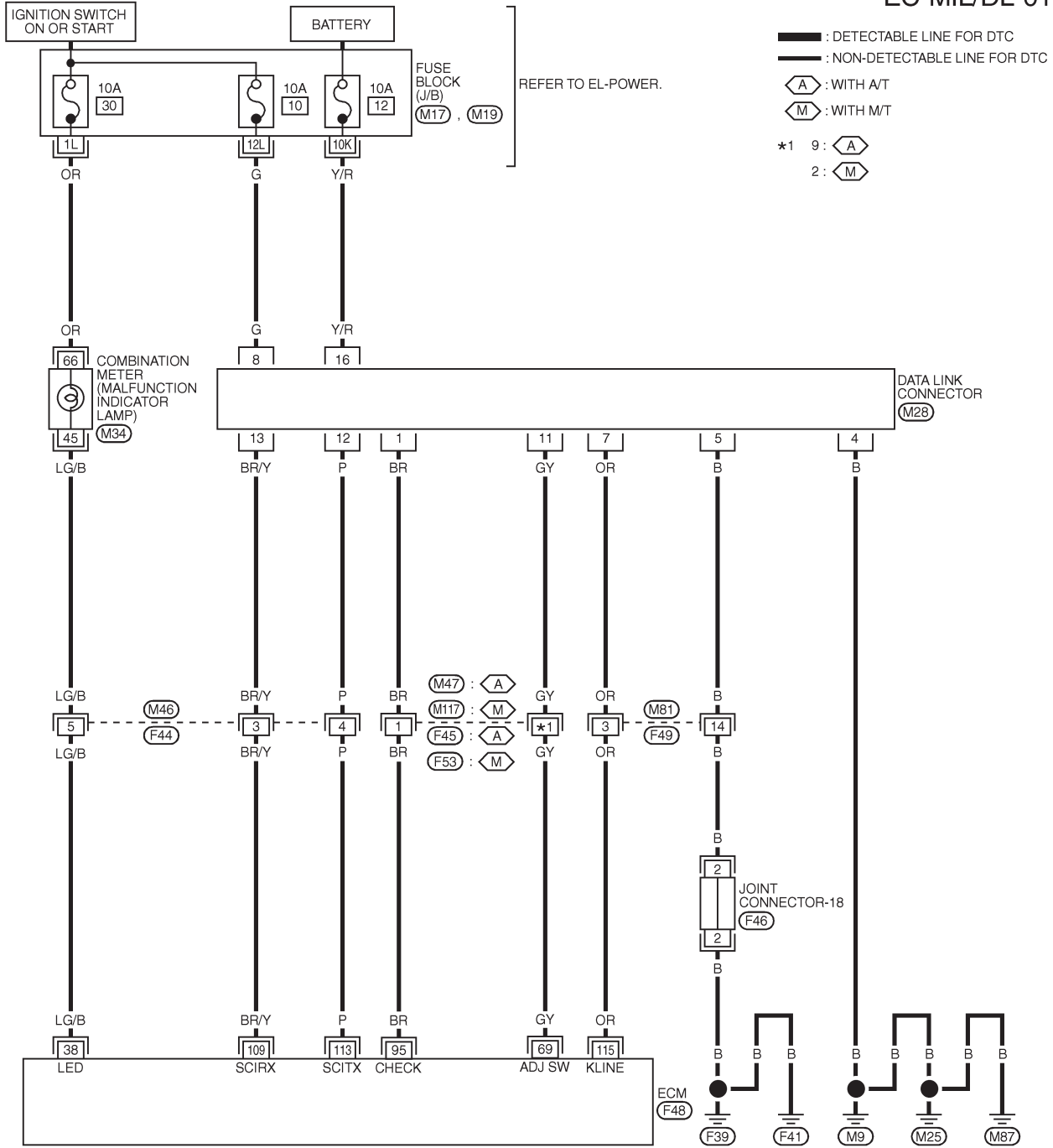


## Wiring Diagram

NFEC0407

### EC-MIL/DL-01

- GI
- MA
- EM
- LC
- EC**
- FE
- CL
- MT
- AT
- AX
- SU
- BR
- ST
- RS
- BT
- HA
- SC
- EL
- IDX



REFER TO THE FOLLOWING.

- (M17) - FUSE BLOCK-JUNCTION BOX (J/B)
- (M19) - FUSE BLOCK-JUNCTION BOX (J/B)